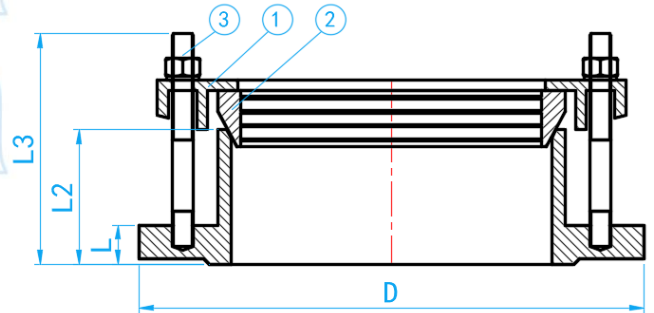
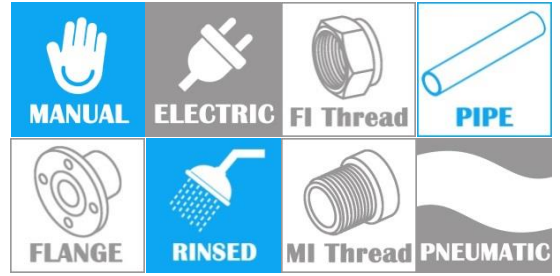


HEAVY DUTY DUCTILE IRON FLANGE ADAPTOR C/W EPOXY COATED



CROSS SECTIONAL VIEW

OPERATING PRESSURE

Nominal Pressure	PN16
Sealing Test Pressure	1.76Mpa
Strength Test Pressure	2.4Mpa

COMPONENT PARTS

ITEM	PARTS	MATERIAL
1.	Body	Ductile Iron
2.	Seal Ring	EPDM
3.	Bolt	Galvanized Iron

STANDARD SPECIFICATIONS

SKU	SIZE (mm)	OD (mm)	L (mm)	L2 (mm)	L3 (mm)	NO OF BOLT	D (mm)	PCD (mm)	WEIGHT (kg)
DIFA080EPC	80	98	19	73	M12X110	4	200	160	4.28
DIFA100EPC	100	118	19	76	M12X110	4	220	180	4.93
DIFA150EPC	150	170	19	76	M12X110	4	285	240	6.90
DIFA200EPC	200	222	20	76	M12X110	6	340	295	9.18
DIFA250EPC	250	274	22	90	M12X120	6	400	355	13.90
DIFA300EPC	300	326	24	90	M12X120	6	455	410	17.06
DIFA350EPC	350	378	26	108	M16X145	8	520	465	27.00
DIFA400EPC	400	429	28	108	M16X145	8	580	502	33.50